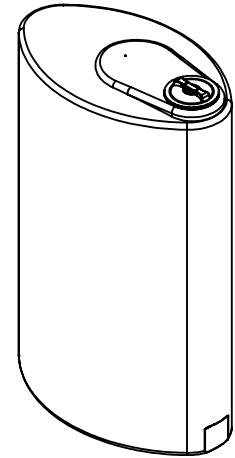


TOP VIEW

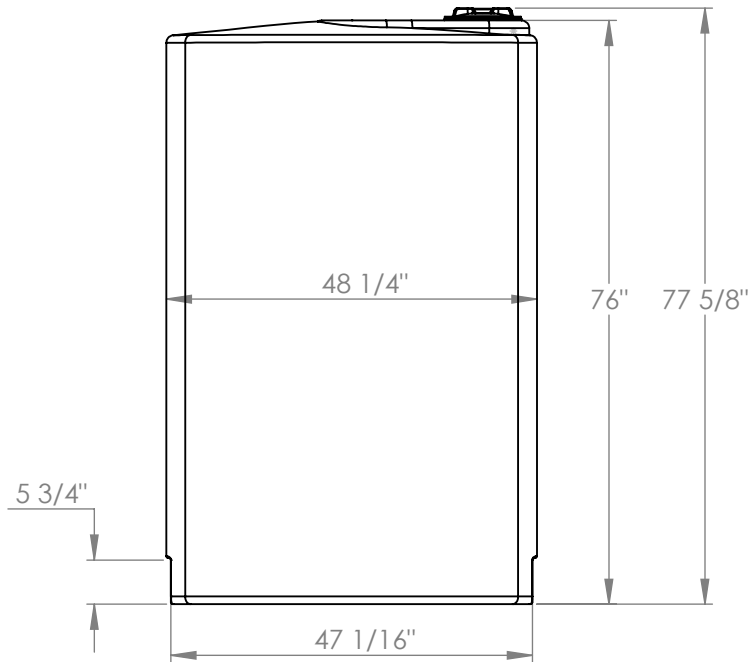
NOTES (APPROX):

WALL THICKNESS: 0.28"

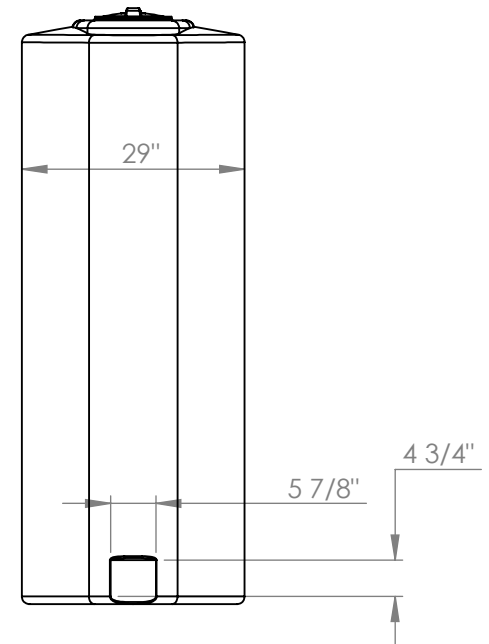
CAPACITY:
270 IMP. GAL
324 US GAL
1226 LITRES



ISOMETRIC VIEWS



FRONT VIEW



SIDE VIEW

Copyright © 2008 Quality Molded Plastics LTD.

CLIENT NAME:		MATERIAL: LLDPE	DATE: OCT/03/2016	DRAWN BY: S. APPLETON	DESCRIPTION: TANK, 324 US GAL, OVAL, VERT	REV Y
APPROXIMATE WEIGHT (lb): 105		DO NOT SCALE DRAWING				
UNLESS OTHERWISE SPECIFIED:						
--- TOLERANCES --- LENGTH DIMENSION: ± 1% ANGULAR: ± 1.0°	DIMENSIONS ARE IN INCHES	Dedicated Plastic Tanks				SCALE: 1:25 SHEET 1 OF 1
					PART NO. 60014-1	